



SERVING THE FOOD INDUSTRY SINCE 1951

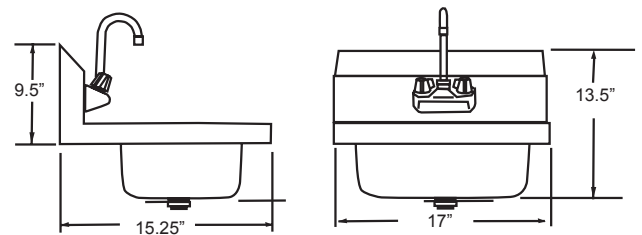
HAND SINKS



STAINLESS STEEL HAND SINKS

Made of high 20 gauge 304 quality stainless steel. Comes with a 6 1/2" backsplash and mounting brackets faucet. Also available with side splashes.

TECHNICAL DRAWINGS WITH DETAILED DIMENSIONS



STAINLESS STEEL HAND SINKS

ITEM	DESCRIPTION	BOWL DIMENSIONS (LWH)	NET WEIGHT	GROSS WEIGHT	DIMENSIONS (DWH)	GROSS DIMENSIONS
22122	Hand Sink with Faucet	13.75" x 9.75" x 5.5"	7 lbs.	9 lbs.	15.25" x 17" x 13.5"	17" x 18" x 14"
37867	Hand Sink with Faucet and Side Splashes	14" x 10" x 6"	7 lbs.	15 lbs.	15.25" x 17" x 13.5"	17" x 18" x 14"
14336	Stainless Steel Hand Sink only					
23703	Faucet for items 22122, 37867, and 43034 Stainless Steel Hand Sinks					
14337	Drain Plug for Stainless Steel Hand Sinks					
31282	Replacement Hot Cartridge for item 23703 Faucet					
31283	Replacement Cold Cartridge for item 23703 Faucet					

OMCAN INC.

Telephone: 1-800-465-0234
 Fax: (905) 607-0234
 E-mail: sales@omcan.com
 Website: www.omcan.com



Follow us to keep up to date with the latest news and offers



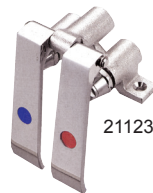
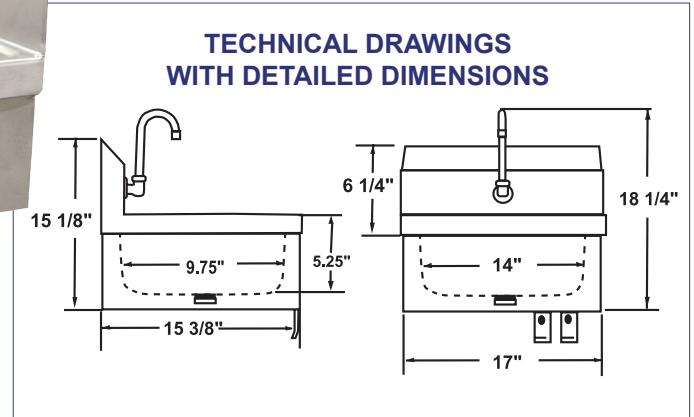
SINKS

SINKS WITH KNEE VALVES



STAINLESS STEEL HAND SINKS WITH KNEE VALVES

Hand sink with faucet. Made of high quality 20 and 18 gauge 304 stainless steel. Also available with side splashes.



STAINLESS STEEL HAND SINKS WITH KNEE VALVES

ITEM	DESCRIPTION	BOWL DIMENSIONS (LWH)	NET WEIGHT	GROSS WEIGHT	DIMENSIONS (DWH)	GROSS DIMENSIONS
22288	Hand Sink with Knee Valve Assembly	9 3/4" x 14" x 5.25"	19 lbs.	20 lbs.	15 3/8" x 17" x 15 1/8"	16" x 18" x 18"
37868	Hand Sink with Knee Valve Assembly and Side Splashes	9 3/4" x 14" x 5.25"	19 lbs.	23 lbs.	15 3/8" x 17" x 15 1/8"	16" x 18" x 18"
19728	Hand Sink with One Hole					
21123	Knee Valve Assembly					
23332	Knee Valve Assembly and Gooseneck Faucet					
14337	Drain Plug for Stainless Steel Hand Sinks					
28680	Cartridge Valve for items 22288 and 37868 Hand Sinks					

OMCAN INC.

Telephone: 1-800-465-0234
 Fax: (905) 607-0234
 E-mail: sales@omcan.com
 Website: www.omcan.com



Follow us to keep up to date with the latest news and offers



SINKS

FABRICATED HAND SINKS



44585



44586

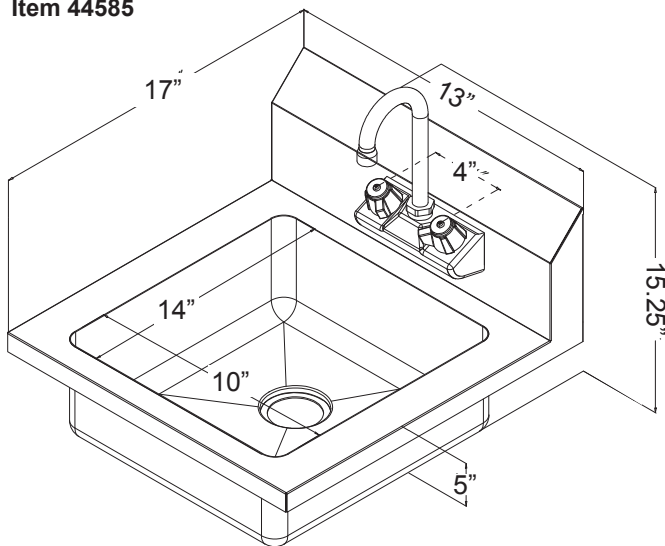
FABRICATED HAND SINKS

Made of high quality 18 Gauge, 304 stainless steel. Comes with 4" low lead gooseneck faucet and 1.5" drain basket.

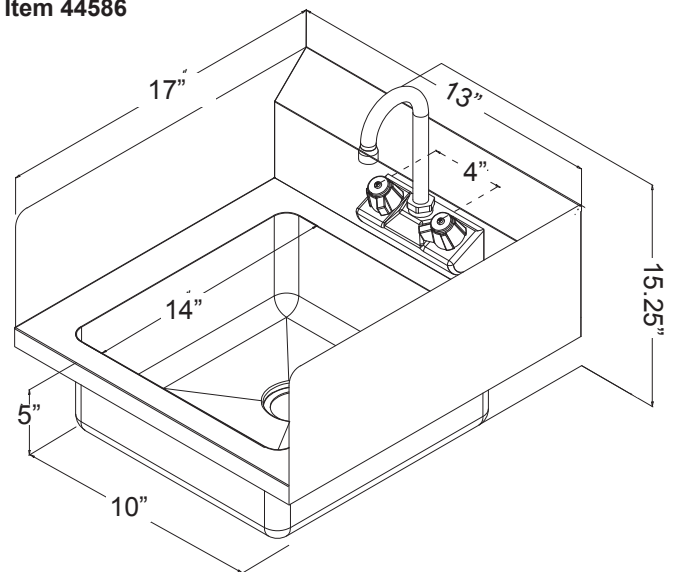
FABRICATED HAND SINKS

ITEM	DESCRIPTION	BOWL DIMENSIONS (LWH)	DIMENSIONS
44585	Fabricated Hand Sink. Comes with 4" Gooseneck Faucet and Drain Basket	10" x 14" x 5" 254 x 356 x 127 mm	13" x 17" x 15.25" 330 x 432 x 387 mm
44586	Fabricated Hand Sink with Side Splashes. Comes with 4" Gooseneck Faucet and Drain Basket	10" x 14" x 5" 254 x 356 x 127 mm	13" x 17" x 15.25" 330 x 432 x 387 mm

Item 44585



Item 44586



OMCAN INC.

Telephone: 1-800-465-0234
 Fax: (905) 607-0234
 E-mail: sales@omcan.com
 Website: www.omcan.com



Follow us to keep up to date with the latest news and offers

